

RELATED STANDARDS

FAA AC 150/5345-46 L-850A L-852A L-852B L-852C L-852D
ICAO Annex 14 Vol. I Para. 5.3.12 5.3.17
IEC TS 61827
STANAG 3316

APPLICATIONS

- As high intensity bidirectional runway center line light CAT II & III conditions
- As high intensity bi-directional taxiway center line light in CAT I, II and III conditions

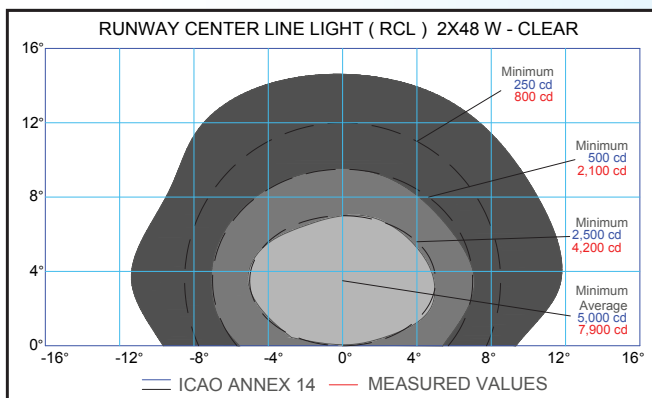
IMPORTANT FEATURES

- IEC TS 61827 Certified
- Needs very little maintenance with its aluminium body and optics, high temperature resistant wiring, gasket and front glass and stainless steel screws
- Equipped with two 48 W 6,6 A halogen pre-focused reflector lamps
- Needs very little maintenance with its aluminium body and optics, high temperature resistant wiring, gasket and front glass and stainless steel screws
- High mechanical strength obtained by forged aluminium helps resist all kind of aircraft loads
- Optical system simple and watertight
- Long lamp life 1500 hours at full intensity (6.6 A) increases to 2000-4000 hours in practice as the light usually operates at lower intensities

ELECTRICAL SUPPLY

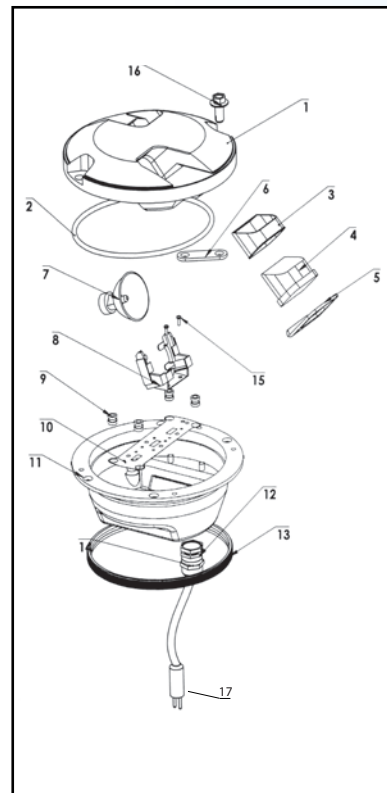
6,6 A through one 100 W isolating transformer

OPTICAL PERFORMANCE



MATERIALS & FINISH

Aluminium alloy cover, inner cover and optical assembly.
Hardware is made of stainless steel



CONSTRUCTION

1. Forged aluminium cover
2. Silicon gasket
3. Prism gasket
4. Prism
5. Prism retainer
6. Prism retainer
7. 48/105 W reflective halogen lamp
8. Lamp holder
9. Optical adjustment screws
10. Optical assembly
11. Cast aluminium inner cover
12. Nut with washer and stainless steel racor
13. Silicon gasket
14. Nut with washer and stainless steel racor
15. Lamp holder
16. Forged aluminium cover
17. 2 pole FAA L-823 style 1/6 plug

WEIGHT

Net weight is 8,1 kg.

PACKING INFO

In cardboard boxes of 21 x 21 x 18,7 cm.